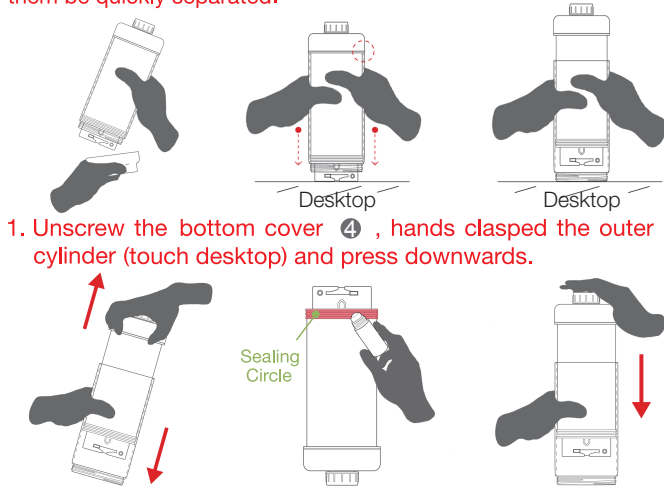


# SUKORI filter bottle

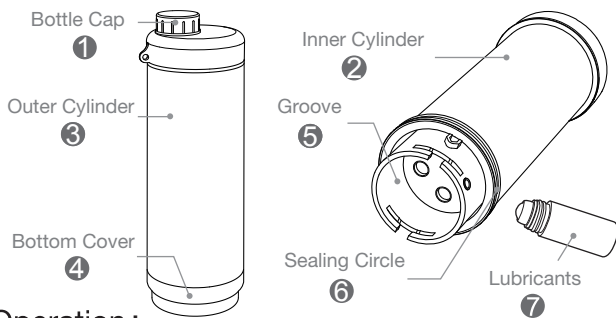
Portable Bottle with Filtering Function

## Instruction

Acquiring new or unused for a long time, the inner and outer cylinders should be tight and pulled hard, operate the following 3 steps to let them be quickly separated.



1. Unscrew the bottom cover ④, hands clasped the outer cylinder (touch desktop) and press downwards.
2. The inner and outer cylinders can be quickly cut off a little, and then force to pull the inner and outer cylinders.
3. Paint the lubricants ⑦ on the "sealing circle" ⑥ at the lower end of the inner cylinder, then set the inner cylinder into the outer cylinder, it can be smoothly operated.



### Operation :

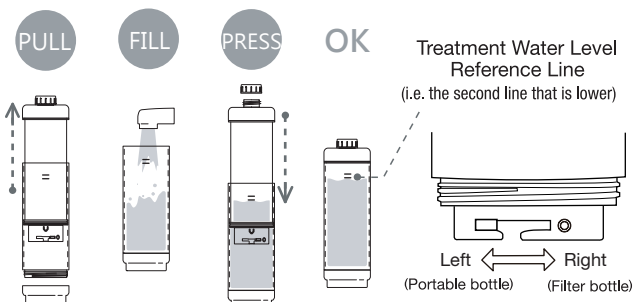
1. When the product is used as a portable bottle :

Clean before use, then unscrew the bottom cover ④, and put the filter in the bottom of the inner cylinder groove ⑤. Then turn the filter to the left until secure, and put the bottom cover ④ back on outer cylinder ③.

2. When the product is used as a filter bottle :

#### 3 SIMPLE STEPS:

- (1) Unscrew the bottom cover ④, put the filter in the bottom of the inner cylinder groove ⑤, then turn the filter right towards the circle icon (©) and pull out the inner cylinder ②.
- (2) Insert the bottom cover ④ to the outer cylinder ③, fill with the desired amount of water, or until you reach the reference line on the outer cylinder (see the picture below).
- (3) Place the inner cylinder ② into the outer cylinder ③, **unscrew the bottle cap ①** and press on the inner cylinder ② until all the water has been passed through.  
You may now enjoy your pure and clean beverage.



### Is a portable bottle and also a filter bottle.

When the product is used as a filter bottle, please turn the filter to the right until you reach the © mark (or until secure). When the product is used as a portable bottle that does not require filtering, please turn the filter to the left. Be sure to turn it tightly as so to prevent the beverage within the inner cylinder from flowing through the filter. In the case of an oversight of the instructions above, the filter will not be ruined, nor will it completely lose its efficiency.

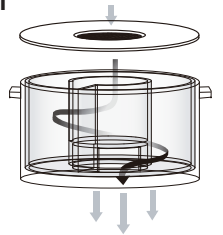
### NSF certified

The Sukori filter bottle uses NSF certified activated carbon and KDF55. It effectively removes the impurities in the water, odor, and absorbs the chlorine so you can taste better, cleaner and healthier water.

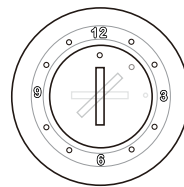
Because of the variety of tap water quality, we recommend replacing the filter after 400 uses, 150 liters or every 3 months.

### Unique Internal Filter Road Design

Sukori filter bottle has a unique internal filter road design. To ensure that every drop of water is being properly filtered, be sure to filter at a slower rate. For maximum effective filtering, it is recommended to push down and filter at a rate that would take at least 30 - 60 seconds.



### Simple Timing Dial on The Bottom of The Bottle



The timing plate will remind you when you should replace the filter. Using a coin, you will be able to set up the starting month or the estimated expiration date of your filter. It is recommended that you replace the filter periodically.

### Caution:

- Black carbon particles will appear in the first rinse. Discard the water from the first two uses of a new filter. After that, you will be able to enjoy your great tasting water.
- When ready to filter the water, if the outer cylinder cannot be pulled out: be sure that the bottom cover is unscrewed or loosened.
- During water treatment, if you can not press the inner cylinder down, the tap water cannot pass through the filter and enter the inner cylinder: be sure that the bottle cap is unscrewed or loosened.
- During water treatment, the inner cylinder is 90% done, but cannot be pressed all the way: the latches on the inner and outer cylinders are touching. Slightly rotate them so that they are interlocking and finish pressing.
- This product was designed to filter tap water. Use caution when filtering non tap water.
- Do not use the microwave. (KDF55 in Filter for the copper and zinc alloy NA)
- Do not fill with hot liquids.
- The product as a whole can be recycled.
- The product meets the health standards of GFS of Taiwan.

Name : Sukori Filter Bottle  
Capacity : 470 ml / Each treatment the amount of 400 - 420 ml  
Weight : 220 ± 2g (with filter)  
Temperature : - 30°C ~ 120°C  
Material : Bottle / Filter — Food Grade PP, Silicone, TPR  
Bottom chronograph dial — POM  
Accompanying Lubricants — Food Grade oils  
Filter Materials : PP filter cloth, Activated carbon, KDF55  
Product Dimensions : Ø70 × 222 mm  
Packing Specification : 71 × 71 × 227 mm  
Color : Blue, Green, Pink, Black  
Place of Origin : Taiwan

Patent No. I377086 (Taiwan) Patent No. 5513475 (Japan)  
Patent No. ZL 2011 1 0220535.6 (China) Patent No. 8790511 (USA)



http://fbao95.com



Company : Fan Bao Co., Ltd.  
Website : http://fbao95.com  
Tel : (+886-2)8913-5935  
Fax : (+886-2)8913-5940  
E-mail : fbao95@gmail.com  
Address : 22F-1, No.27, Baoqiao Rd.,  
Xindian Dist., New Taipei City 231, Taiwan